

LED Pendant Series Light Module



Installation instructions for PEN Series Light Module

WARNING: These products may represent a possible shock or fire hazard if improperly installed or attached in any way. Products should be installed in accordance with these instructions, and with current electrical codes and/or the current National Electric Code (NEC). This light module is intended to be installed only by qualified personnel.

WARNING: To avoid electric shock, disconnect power at source prior to installation.

Save these instructions.

Alteration of the fixture or accessories will void the warranty.

For indoor installations only. Do not use where ambient temperature exceeds 104°F (40°C); suitable for use in environments with 0-80% humidity. Using this product in environments outside of these ranges will impact LED life negatively.

For 120V, 60Hz input power applications only. Fixtures consume 7.5 watts per module. Unpack the fixture and inspect for any damage. If there is any damage to the pendant cord, LED lens or wire inside canopy, do not install.

Note: Glass shade is sold separately.

DETERMINE OVERALL LENGTH OF PENDANT LIGHT: (See Figure 1)

Generally, the bottom of the pendant glass would be 24"-30" above a dining table or eating counter, but perhaps more clearance may be needed over an island. Consider surface height, pendant glass height and any clearance issue(s) when determining overall height.

ADJUSTMENT OF PENDANT CORD: (See Figures 2 and 3)

1. Remove two retaining screws on side of canopy and set aside. Remove mounting bracket and set aside. See Figure 2.
2. Loosen plastic nut on canopy. See Figure 3.
3. Adjust pendant cord to appropriate length by pulling up through the canopy to achieve overall height per Figure 1.
4. Adjust position of strain relief ring by loosening pendant cord and moving ring to location at side of driver. Pull any additional pendant cord through ring to take up any slack.
5. Screw plastic nut back onto canopy and retighten to secure pendant cord.

CONTINUED ON REVERSE

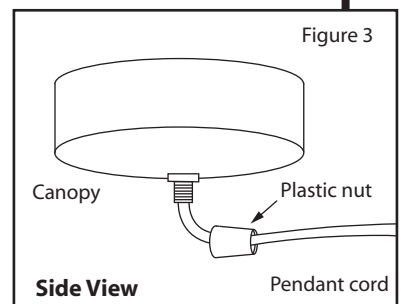
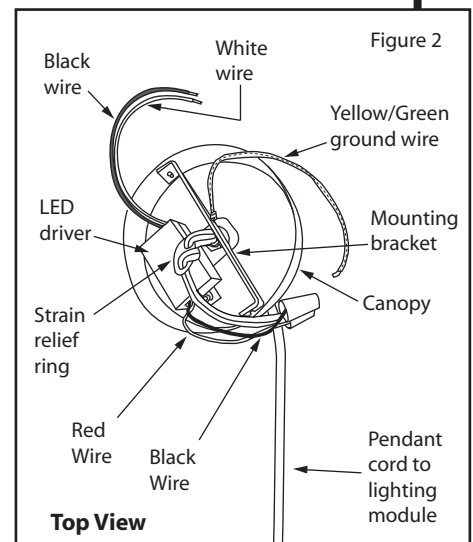
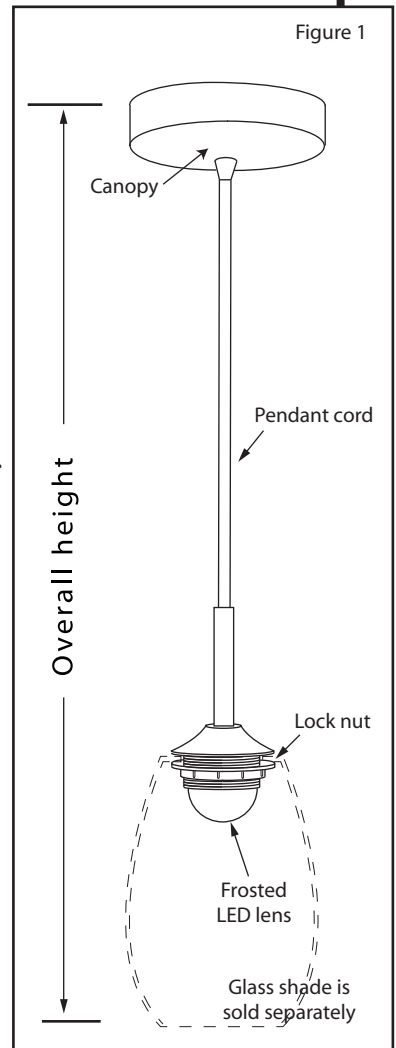
ADDITIONAL SAFETY MEASURES:

1. To avoid electrical shock, do not turn on fixture with missing or damaged lens.
2. There are no serviceable parts inside LED module.
3. Suitable for indoor dry locations only.
4. This product is suitable for use in dimming circuits. Dimmable with most incandescent, low voltage electronic and low voltage magnetic dimmers.

The use of chemicals or solvents may degrade the housing finish or its protective coating. Use only a mild soap and/or slightly damp soft cloth to clean the fixture. Harsh chemicals will damage the lens and/or fixture. Do not wipe the fixture with a rough cloth that may scratch the finish or the lens.



AMERICAN LIGHTING
BRIGHT IDEAS • INNOVATIVE PRODUCTS



LED Pendant Series Light Module



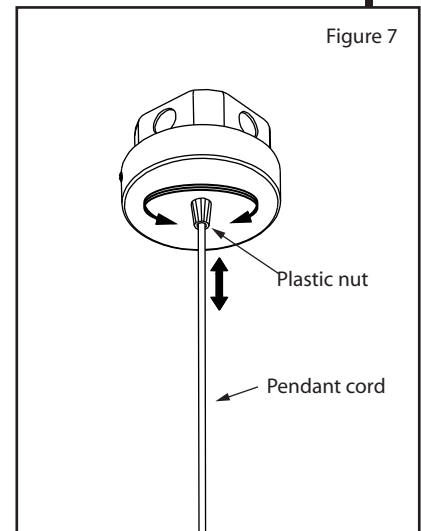
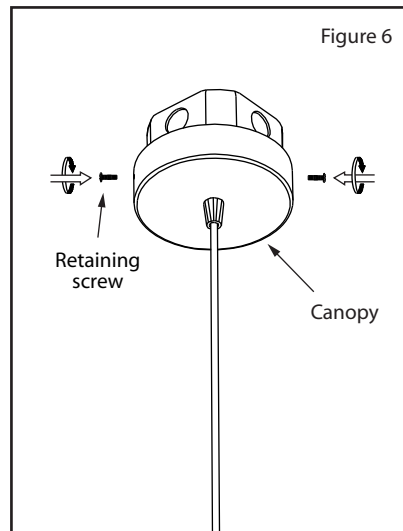
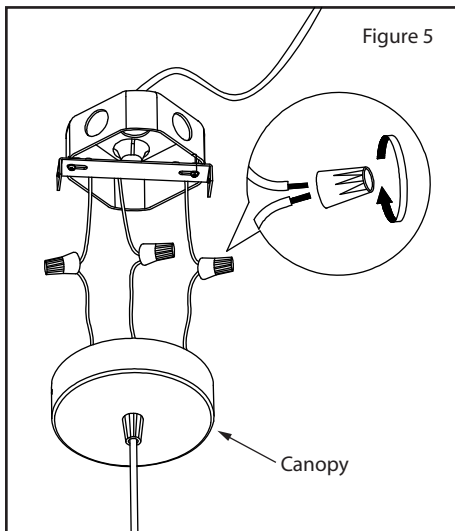
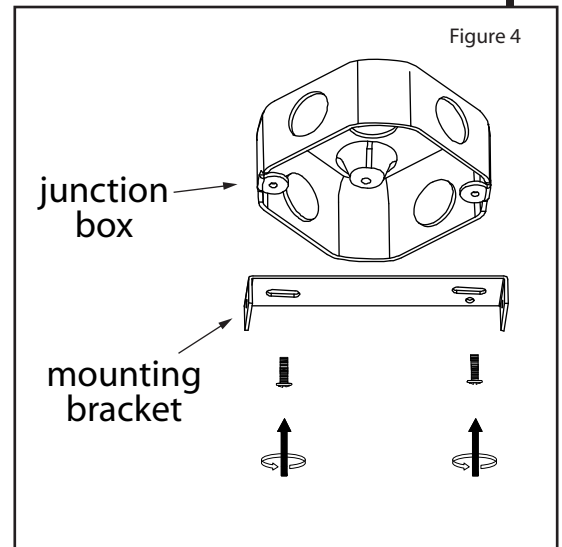
Installation instructions for PEN Series Light Module

WARNING: To avoid electric shock, disconnect power at source prior to installation.

CONTINUED FROM REVERSE

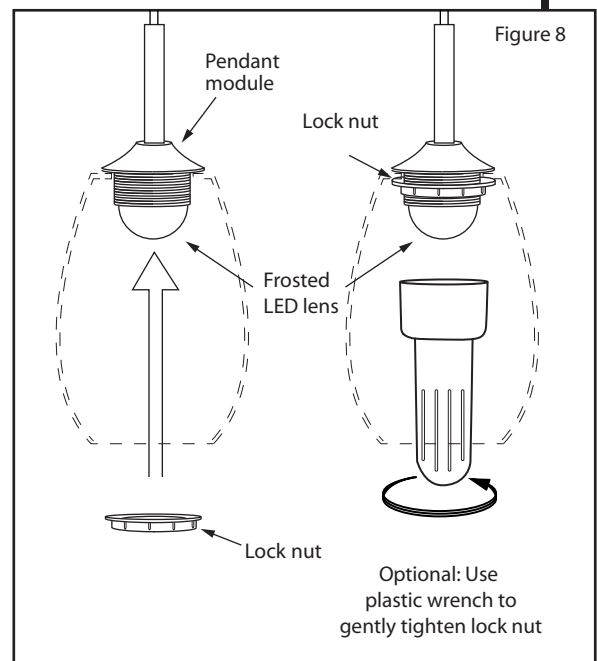
INSTALLATION INSTRUCTIONS: (See Figures 4-6)

1. Remove existing fixture if applicable.
2. Secure the mounting bracket to the existing junction box. See Figure 4.
3. Strip back jacket on supply wires 3/8" and use UL Listed wire connectors to connect wires (Black to Black/Hot, White to White/Neutral and Yellow/Green stripe [Ground] to bare wire). See Figure 5.
4. Bundle the extra pendant cord into canopy and/or junction box.
5. Align holes on side of canopy with mounting bracket holes and attach canopy to mounting bracket using the retaining screws previously set aside. See Figure 6.
6. Loosen the plastic nut and make any small adjustments to overall length, if desired, and re-tighten the nut to secure pendant cord. See Figure 7.



GLASS INSTALLATION INSTRUCTIONS:

1. Unscrew round lock nut from pendant module. Set it aside. See Figure 8.
2. Lift glass shade over frosted LED lens. Slide lock nut over frosted LED lens and screw it back into place from the underside of the glass shade.
3. Optionally, you may use the lock nut tightening tool (plastic wrench provided with pendant module) to tighten lock nut into place and secure glass shade. See Figure 8.
CAUTION! Do not over-tighten locking nut!
Overtightening risks breaking glass shade!
4. Carefully straighten pendant cord with glass shade attached.
Verify equipment is secure.



AMERICAN LIGHTING
BRIGHT IDEAS • INNOVATIVE PRODUCTS