

# Interchangeable Series LED Recessed Downlight

## Installation instructions for X34 Series (3 3/4" adjustable retrofit)



AMERICAN LIGHTING

**WARNING:** These products may represent a possible shock or fire hazard if improperly installed or attached in any way. Products should be installed in accordance with these instructions, current electrical codes and/or the current National Electric Code (NEC).

**CAUTION:** To reduce risk of fire, electric shock or injury to persons:

1. Make sure that the electrical power to the fixture is disconnected prior to any installation or retrofit.
2. This light is suitable for wet locations.
3. Use with 3" or 4" recessed cans (recessed housings) only. Do not attempt to alter for other sizes or purposes.
4. Each fixture consumes 7 watts. See page 3 for dimming information.

**WARNING:** Risk of fire or electric shock. For use only with 3" or 4" recessed housings, such as AL3-ICAT for 3" trim kits; or AL4-ICAT for 4" trim kits. When using with existing cans, confirm X34 assembly will fit before installation by checking the interior of the housing for a manufacturer's part number and specifications; or measure the diameter of the housing. The recessed housing must have a measured inside diameter (opening) of 3" to 3-1/4" for X3-aaa-bb-X34 trim accessories with a minimum clearance height of 3-3/4"; or a measured inside diameter (opening) of 3-7/8" to 4-1/4" for X4-aaa-bb-X34 trim accessories with a minimum clearance height of 4". The minimum clearance height is measured from the can flange to the socket at the back of the housing. If the existing housing does not have sufficient clearance, loosen the wingnut inside the can and detach the adjustable socket plate from the socket. See Figure 1.

Each X34 light module includes an attached lead wire with a 120V plastic connector for use with either an E26 or GU24 adaptor. The E26 adaptor is included; the GU-24 adaptor is sold separately. **Each light module requires a trim kit to make a complete recessed downlight.** Trim kits are sold separately. Compatible versions are part numbers X3-aaa-bb-X34 or X4-aaa-bb-X34, where aaa denotes the style and bb denotes the finish. See Figure 2.

Do not make or alter any open holes in a wiring enclosure, nor in any electrical components during kit installation! **WARNING:** Risk of fire or electric shock. Kit installation requires knowledge of recessed lighting luminaires electrical systems. If not qualified, do not attempt installation. Contact a qualified electrician. Do not use these products in luminaires located where elevated ambient temperatures exist.

**WARNING:** Risk of fire or electric shock. The electrical rating of this product is 120V AC. The installer must determine whether power supply is 120V AC at the luminaire before installation.

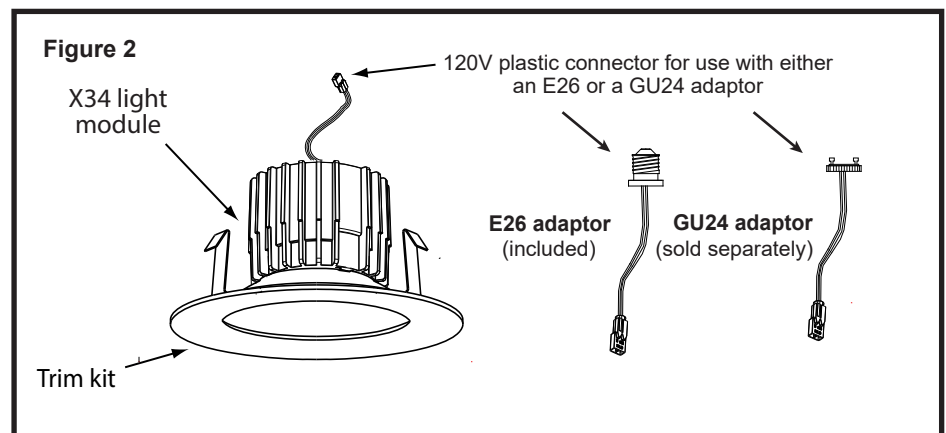
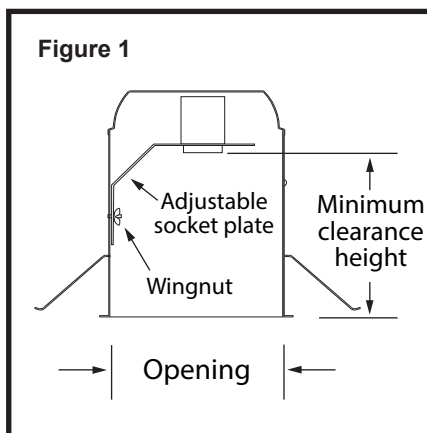
**WARNING:** To prevent wiring damage or abrasion, do not expose wiring to edges of sheet metal or other sharp objects.

THIS PRODUCT MUST BE INSTALLED IN ACCORDANCE WITH THE APPLICABLE INSTALLATION CODE BY A PERSON FAMILIAR WITH THE CONSTRUCTION AND OPERATION OF THE PRODUCT AND THE HAZARDS INVOLVED.

THE RETROFIT ASSEMBLY IS ACCEPTED AS A COMPONENT OF A FLUORESCENT LUMINAIRE WHERE THE SUITABILITY OF THE COMBINATION SHALL BE DETERMINED BY CSA OR AUTHORITIES HAVING JURISDICTION.

### FUTURE LAMP REPLACEMENT & GU24 ADAPTORS

X34 Series models, GU24 adaptors (item #AL-GU24) and GU10 adaptors (item #AL-GU10) are available from American Lighting, Inc. Contact (800) 880-1180 or visit [www.americanlighting.com](http://www.americanlighting.com) to find a local distributor.



# Interchangeable Series LED Recessed Downlight

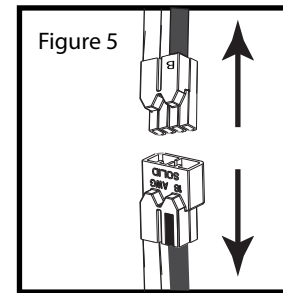
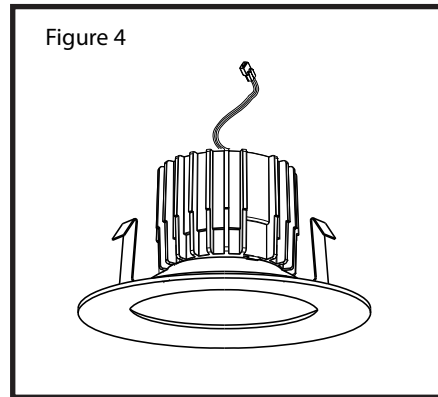
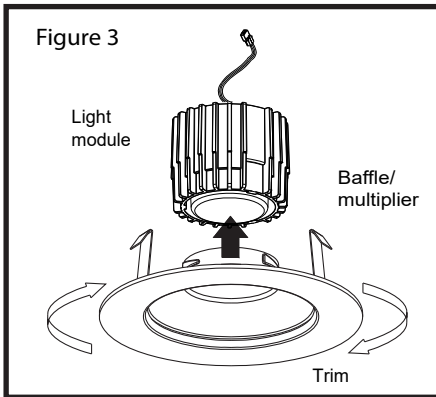
Installation instructions for X34 Series (3"/4" adjustable retrofit)



## ASSEMBLY DIAGRAM

Twist the baffle/multiplier into the trim piece. Push trim assembly up into light module and rotate baffle/multiplier to the right until it stops (about 30-45 degrees clockwise) to lock trim assembly into place. See Figure 3.

When assembled the combined parts should look like Figure 4.

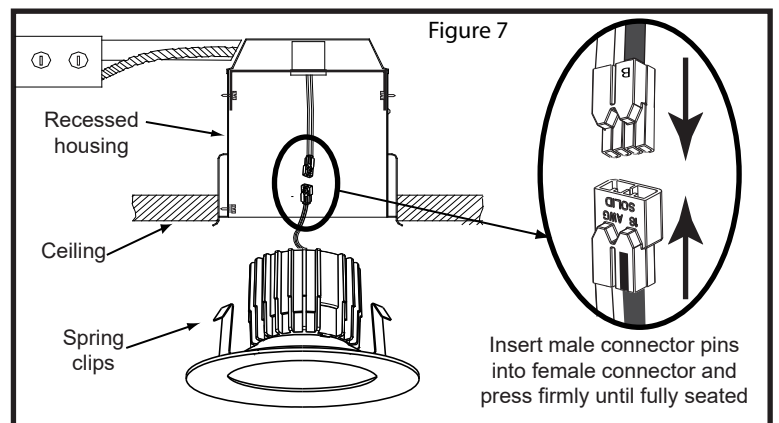
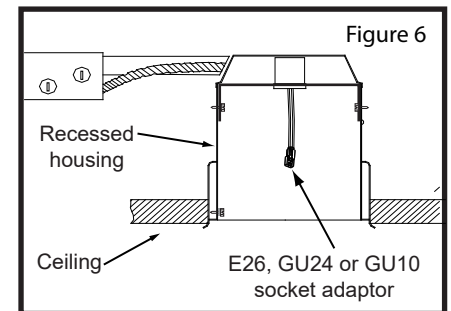


THE ASSEMBLED X34 DOWNLIGHT IS NOW READY FOR USE WITH A 3" or 4" RECESSED HOUSING.

**CAUTION:** Always make sure power to the fixture is disconnected before beginning removal of existing lamp and/or trim, or before beginning retrofit installation. Failure to do so can cause electric shock, which can result in injury or death.

## RETROFIT INSTALLATION

1. Confirm the LED trim is compatible with the recessed housing as outlined on reverse.
2. Remove existing lamp from existing recessed housing.
3. Remove existing trim from existing recessed housing.
4. Detach E26 socket adaptor from LED fixture by grasping plastic connectors firmly and pulling apart. Do not grasp wires to pull connectors apart. See Figure 5.
5. Screw E26 socket adaptor into existing E26 socket at the back of the housing; or push and twist GU24 (or GU10) socket adaptor into existing GU24 (or GU10) socket at back of housing. See Figure 6.
6. Insert male connector pins into female connector and press firmly together until fully seated. See Figure 7.
7. To install downlight/trim kit assembly: push fixture gently to ceiling letting spring clips hold the assembly in place. See Figure 7. If needed, bend out the spring clips so they push against the housing wall for added retention.



**NEW CONSTRUCTION INSTALLATION**  
Follow steps 1, then 4-7 above.



AMERICAN LIGHTING

Denver, CO 80231 • www.americanlighting.com

© 2016 American Lighting, Inc.

RV1637 Page 2 of 3

# Interchangeable Series LED Recessed Downlight

Installation instructions for X34 Series (3"/4" adjustable retrofit)



## DIMMING

This product is suitable for use in dimming circuits. For best results (5-100% lighting control), use Leviton 6631 ([www.leviton.com](http://www.leviton.com)), Lutron S600, DVCL-153P, LG-603PG or TC-600P type dimmers ([www.lutron.com](http://www.lutron.com)). Check manufacturer's specifications - minimum load requirements apply.

## 5- YEAR LIMITED PRODUCT WARRANTY

This product is warranted to be free from defects in material and workmanship for a period of five years from the date of purchase.

Products that prove to be defective during this period will be either repaired (i.e. replacement of defective electronics, defective parts of the fixture housing, lens, wiring, switching or lamp sockets; excluding the lamp) or replaced, at the discretion of American Lighting, Inc. Claims for defective products must be submitted to the retail location from which the product was purchased within the warranty period. Upon submission of proper return claim documentation and product to American Lighting, Inc by the retailer, American Lighting, Inc reserves the right to inspect the product for misuse or abuse. Claims for indirect or consequential damages or for product that, in American Lighting Inc's opinion has been misused will be denied. This is a warranty of product reliability only and not a warranty of merchantability or fitness for a particular purpose. American Lighting, Inc shall have no liability whatsoever in any event for payment of incidental or consequential damages, including, without limitations, installation costs and damages for personal injury and property. These products may represent a possible shock or fire hazard if improperly installed or altered in any way. This warranty applies only to product that has been properly installed in accordance with instruction sheet and current local codes and/or the National Electrical Code. Warranty does not apply to any product that has been improperly installed or in situations where components have been altered in any way.

For questions / comments, technical assistance or repair parts –  
Please call toll free at: 1-800-285-8051 (M-F 8am – 5pm, MST)



AMERICAN LIGHTING

Denver, CO 80231 • [www.americanlighting.com](http://www.americanlighting.com)

© 2016 American Lighting, Inc.

RV1637 Page 3 of 3